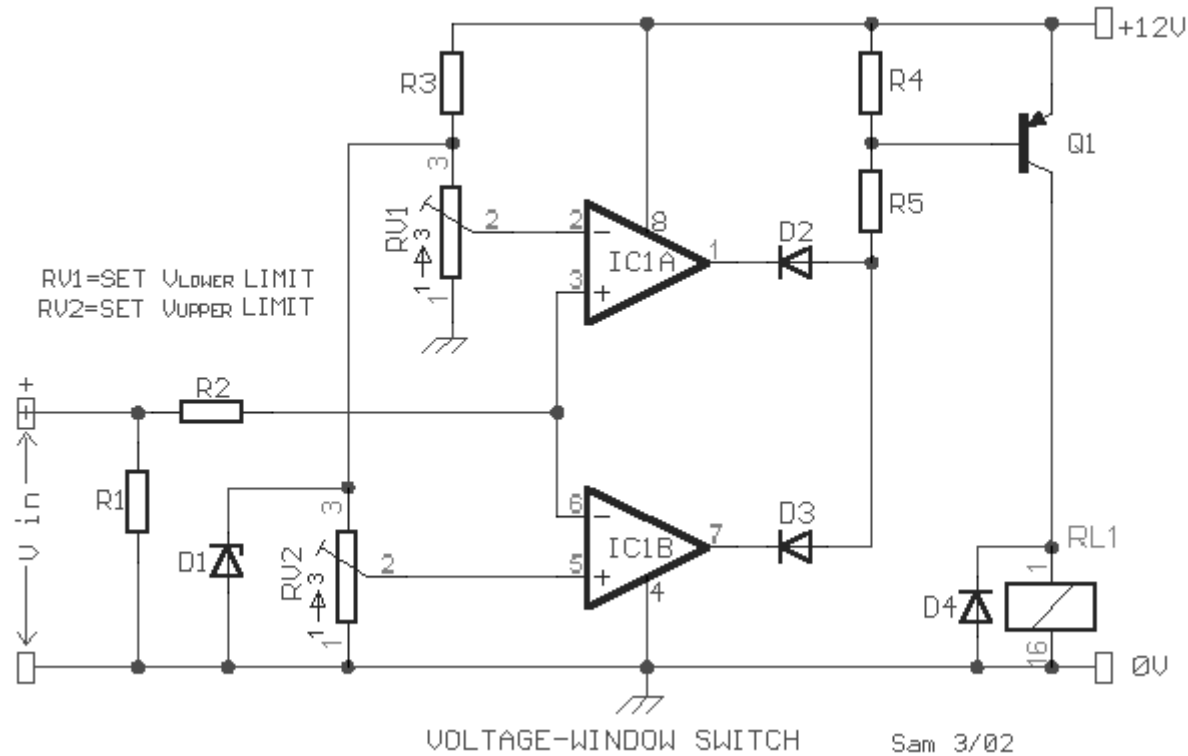


## Voltage window switch



A voltage window switch is in practice the basic lower window limit of this circuit is roughly 3V and the upper limit is 9V. The window range can be extended by fitting a suitable range

### Part List

R1-2=10Kohm

D1=9V1/ 0.5W Zener

IC1=**TL072**

R3=1Kohm

D2-3=1N4148

Q1=**BC214**

R4=2.2Kohm	D4=1N4001	RL1=12V >120ohm Relay
R5=4.7Kohm	RV1-2=47Kohm pot.	

**Sam Electronic Circuits 3/02**

[ [Home](#) ] [ [My Database](#) ] [ [My Guestbook](#) ]