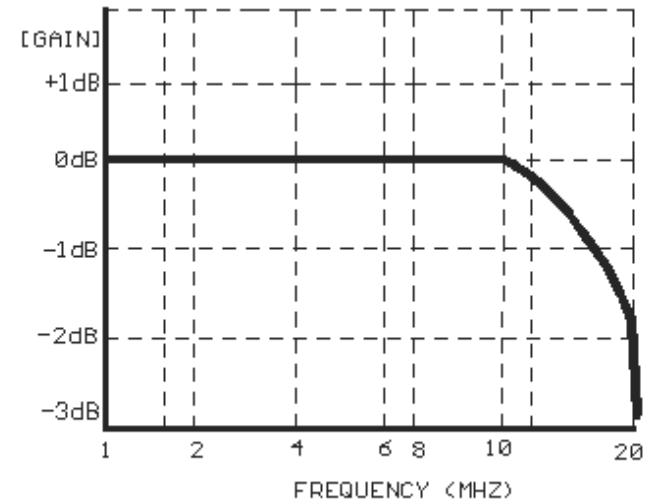
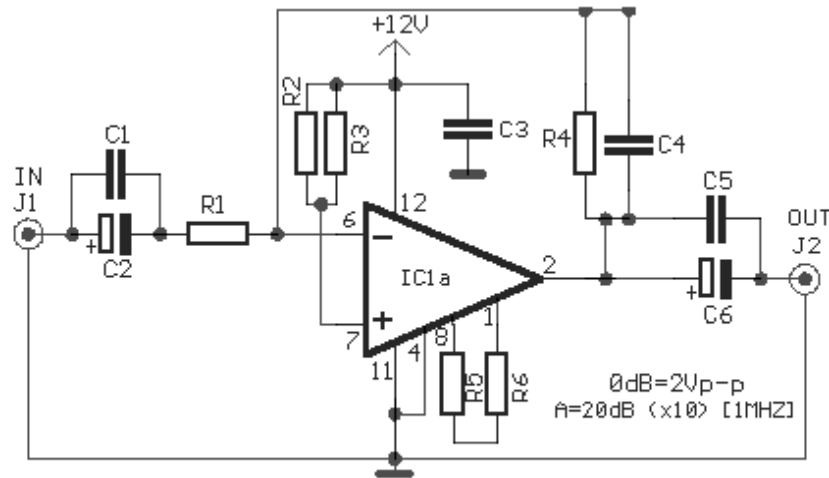


Video amplifier [2]



Video Amplifier [2]

Sam 10/01

Part List

| | | |
|---------------|----------------|--------------------|
| R1=1Kohm | C2-6=100uF 25V | C6=100uF 25V |
| R2-3=12Kohm | C3=100nF 100V | IC1= LM359N |
| R4-5-6=10Kohm | C4=1pF ceramic | J1-2=BNC connector |
| C1=10nF 100V | C5=10nF 100V | |

Sam Electronic Circuits 10/01

[[Home](#)] [[My Database](#)] [[My Guestbook](#)]