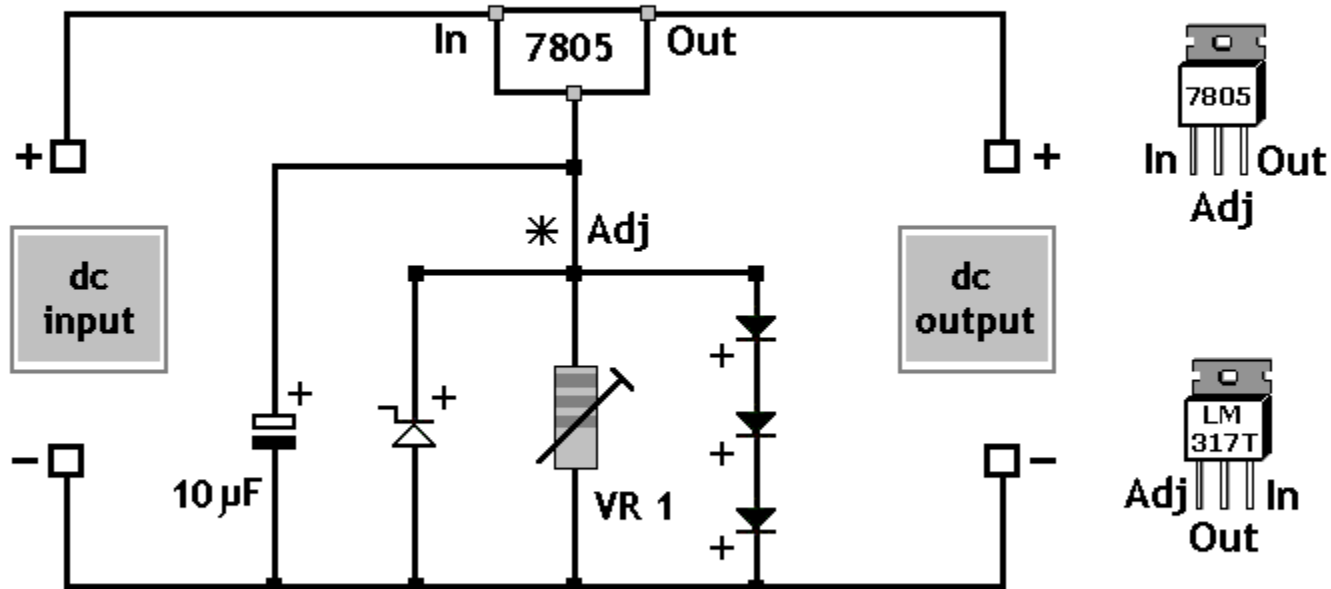


>

## Variable Voltage Regulation

### Variable Voltage from a 7805 Regulator



\* Three different ways to change the output voltage of a 78 series regulator

Circuit by Ron J  
Text by ANC

Notes:

As Ron suggests, controlling the output voltage from a regulator can be made variable in three ways:-

1. Using a fixed reference zener diode to increase the output by the value of the zener
2. A variable resistor for variable output, note that a voltage less than the nominal regulator is not possible
3. A chain of diode such as 1N4001, this increases the output by +0.7 V for every diode used.

Return to [PSU Circuits](#)