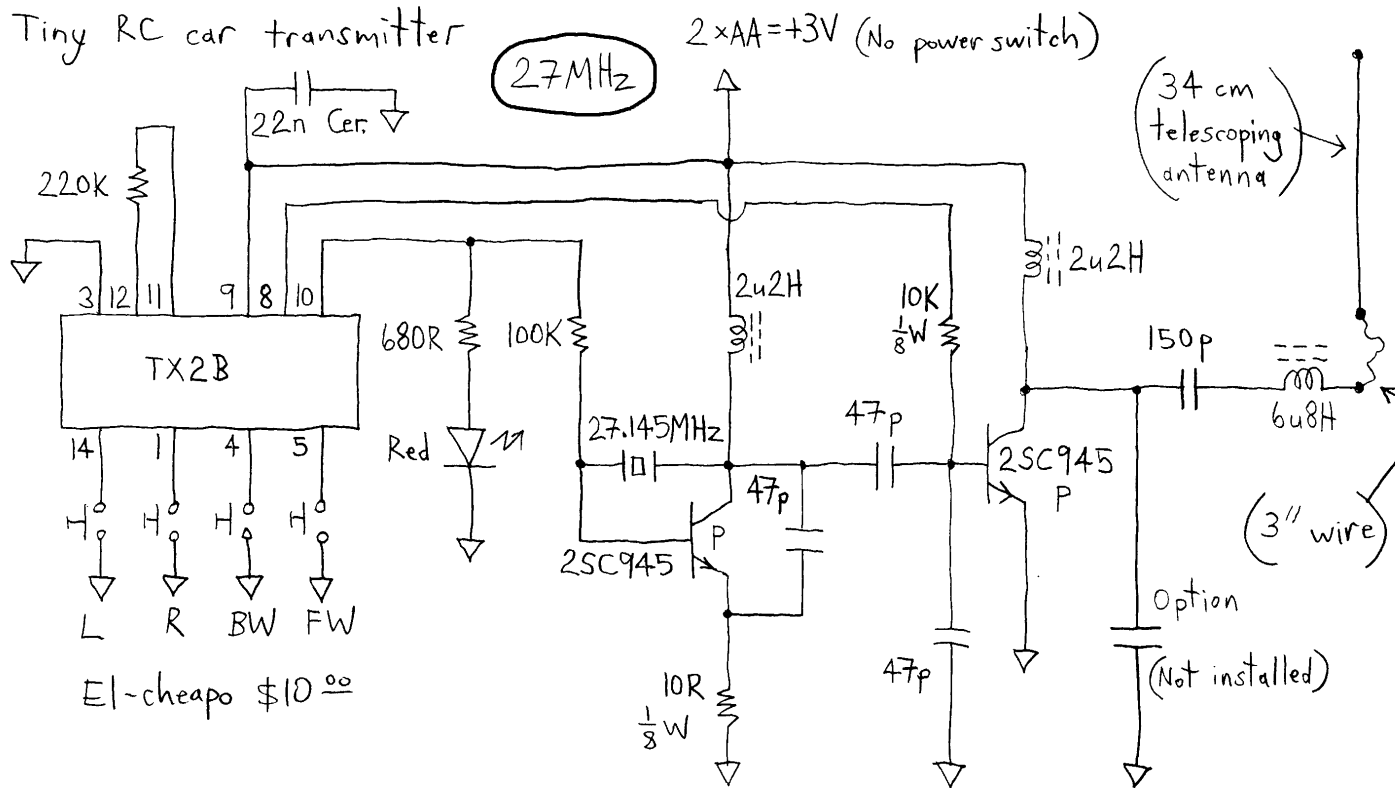


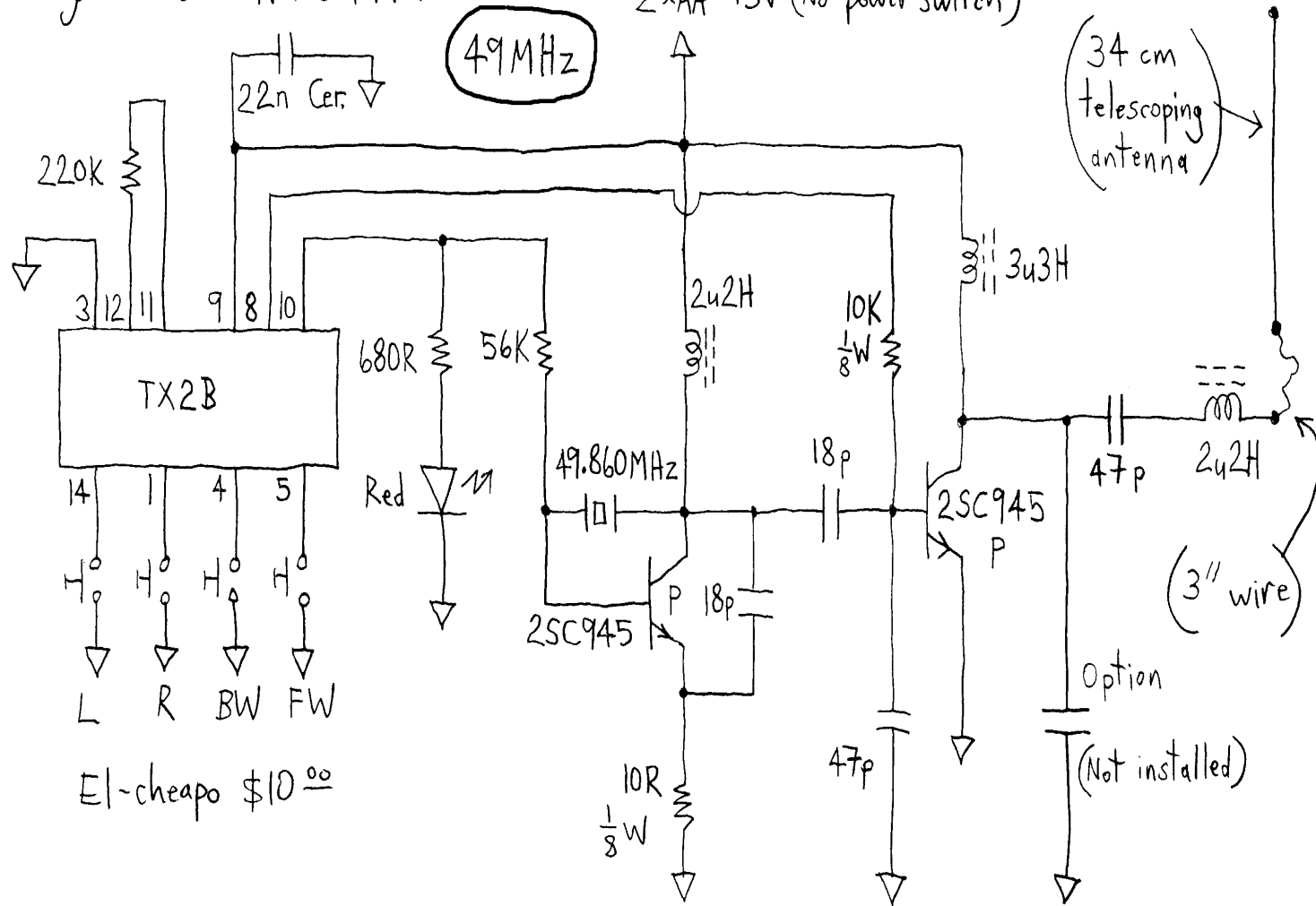
Tiny RC Cars - Transmitter and Charger circuit - 2 x AA cell - 27MHz and 49MHz [HOME](#)

The transmitter runs on only 3V whereas most others run on more voltage. This dirt cheap item uses non-adjustable inductors so it is not possible to tweak for higher output. The common TX2B chip is manufactured by HIGHLAND (SHENZHEN) ELECTRONICS CO LTD and by REALTEK SEMICONDUCTOR CORP and others. Datasheets are available on the web but I don't remember where now. Here is the circuit at 27 and 49 MHz:



Tiny RC car transmitter

2xAA=+3V (No power switch)

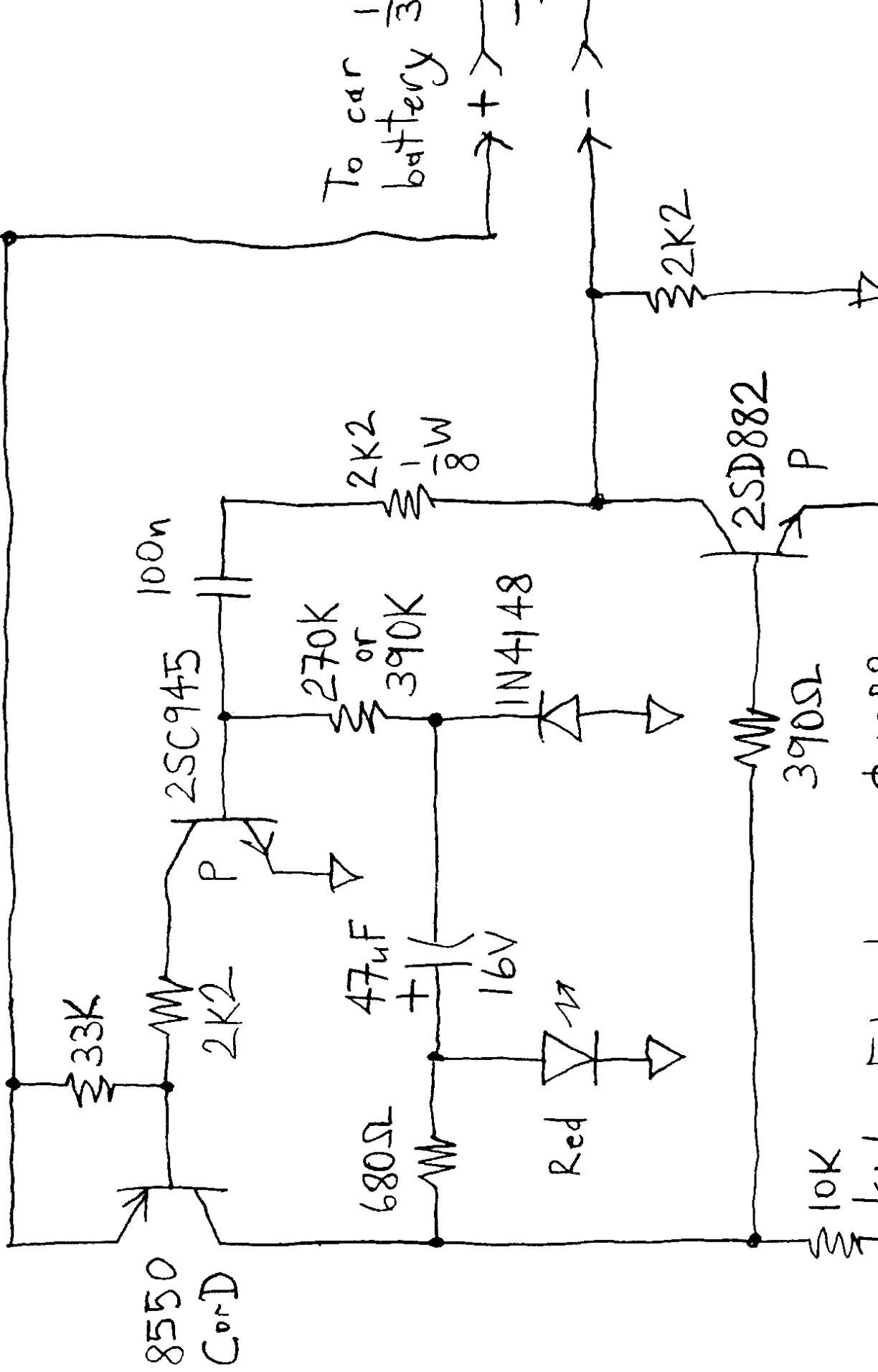


E1-cheapo \$10⁰⁰

The charger provides a timed charge with simple current limiting:

Tiny RC car charger

2xAA = +3V (No power)



I did not draw out the schematic for the receiver because it is full of teeny nameless surface mount components. Compatible receiver schematics are available as application notes from the various manufacturers of the TX2B chip and from various patent offices worldwide.



[HOME](#)

