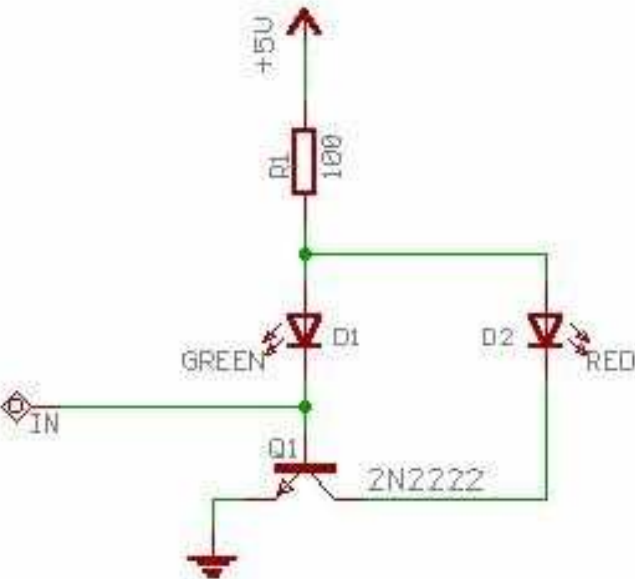


Low/High Pass



**Hardware Description**

This circuit uses two LED's and a transistor to show the state of the IN signal as Green (Low) or Red (High). The transistor in between the LED's and the circuit signal enables the signal to be used to control other circuitry. This circuit is meant to be used within the project as opposed to a logic analyzer.