

## LED Torch.

Rev. Thomas Scarborough.

A common problem with small torches is the short life-span both of the batteries and the bulb. The average incandescent torch, for instance, consumes around 2 Watts. The LED Torch in Fig. 1 consumes just 24 mW, giving it more than 80 times longer service from 4 AA alkaline batteries (that is, up to one month's continuous service). Although the torch's light output is modest, it is nonetheless quite sufficient to illuminate a pathway for walking.

The LED Torch is based on a 7555 timer running in astable mode (do not use an ordinary 555). A white LED (Maplin order code NR73) produces 400 mcd light output, which, when focussed, can illuminate objects at 30 metres. Try Conrad Electronic for what appears to be a stronger white LED (order code 15 37 45-11).

A convex lens with short focal length is placed in front of the LED to focus the beam. If banding occurs at the beam's perimeter, use another very short focal length lens directly in front of the LED to smooth the beam.

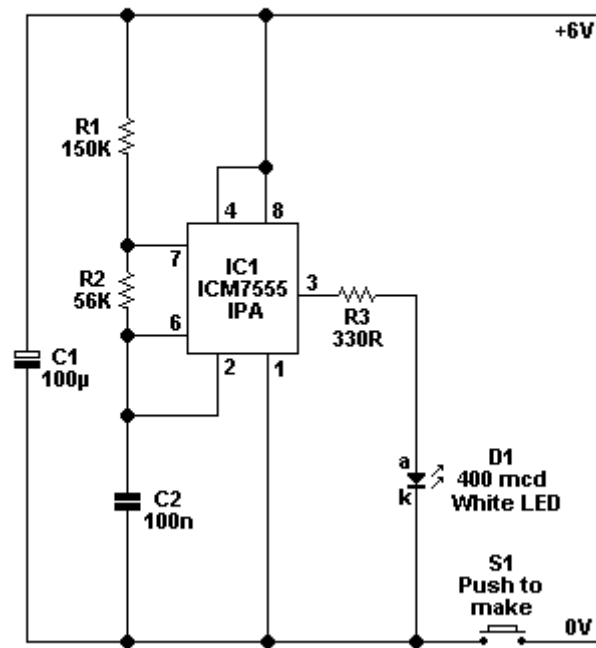
If a different supply voltage is preferred, the value of resistor R3 is modified as follows:

9V - 470 Ohm

12V - 560 Ohm

## LED Torch.

Figure 1.



Rev. Thomas Scarborough.

See my "Wind-up Torch" feature article in the October 2000 edition of Everyday Practical Electronics for a completely battery-free go-everywhere torch.

E-mail [scarboro@iafrica.com](mailto:scarboro@iafrica.com)

Return to [Miscellaneous Circuits](#)

