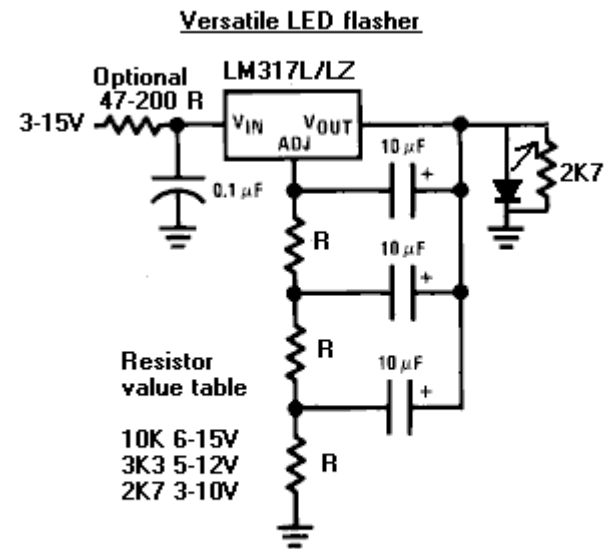


LED Flasher

Circuit : Andre

Email:



**Output 4 flashes/sec with components shown .
Advise use of tantalum or other low leakage capacitors .
(based on circuit found on LM317L datasheet)**