

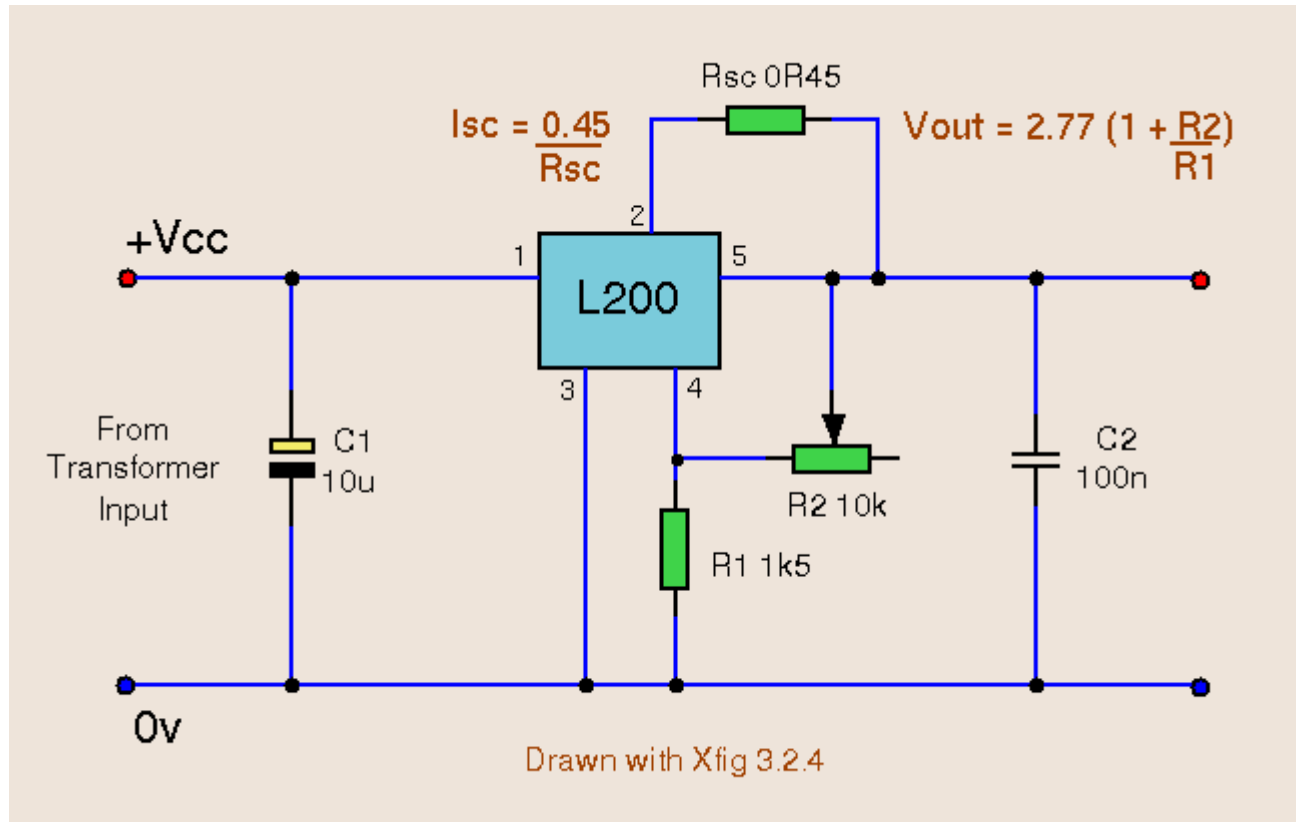
L200 Power Supply

Circuit : Andy Collinson

Email: anc@mitedu.freemove.co.uk

Description:

Power supply with voltage and current regulation built around the L200C regulator.



Notes:

The versatile 5 pin L200C regulator offers both voltage and current regulation in a single package. The IC also features thermal shutdown and input over voltage protection up to 60 Vdc. The package is also available as L200CV which has straight pins for mounting onto a PCB.

Specifications:

DC Input Voltage: 40V max.

Peak Input Voltage: 60V max. for 10ms

Output Voltage Range: 2.85 to 36V

Output Current Range: 0.1 to 2A

Quiescent Current: 4.2mA

Output Noise: 80uV

Return to [Power Supply Circuits](#)