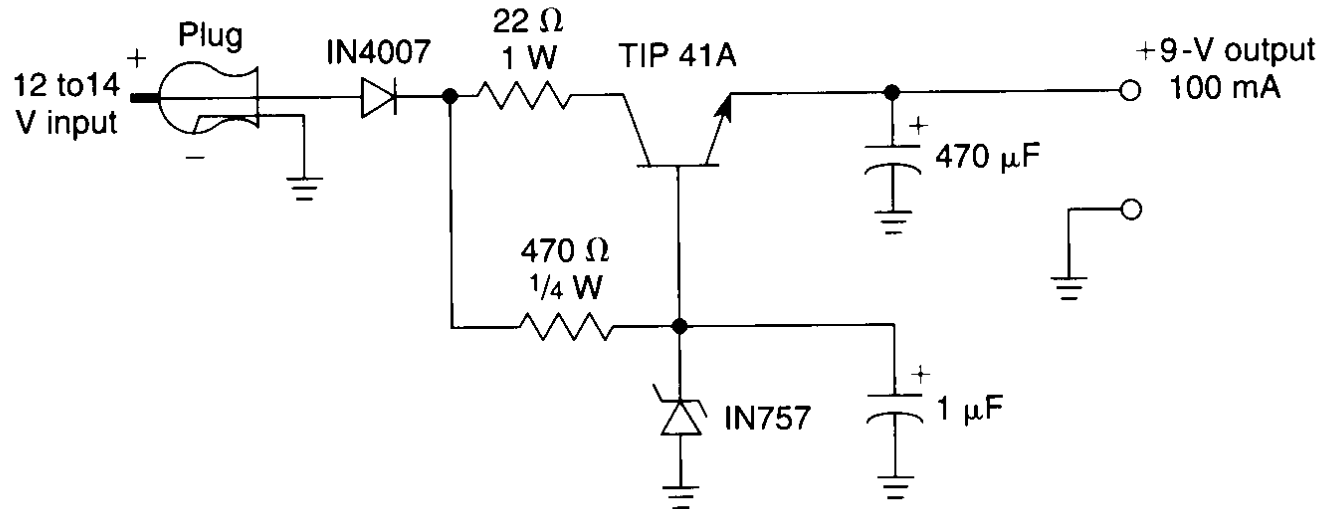


CIGARETTE LIGHTER 9-V ADAPTER



A simple way to provide +9 V at 100 mA from a 12-V auto source. Applications include small radios, cassettes, etc.