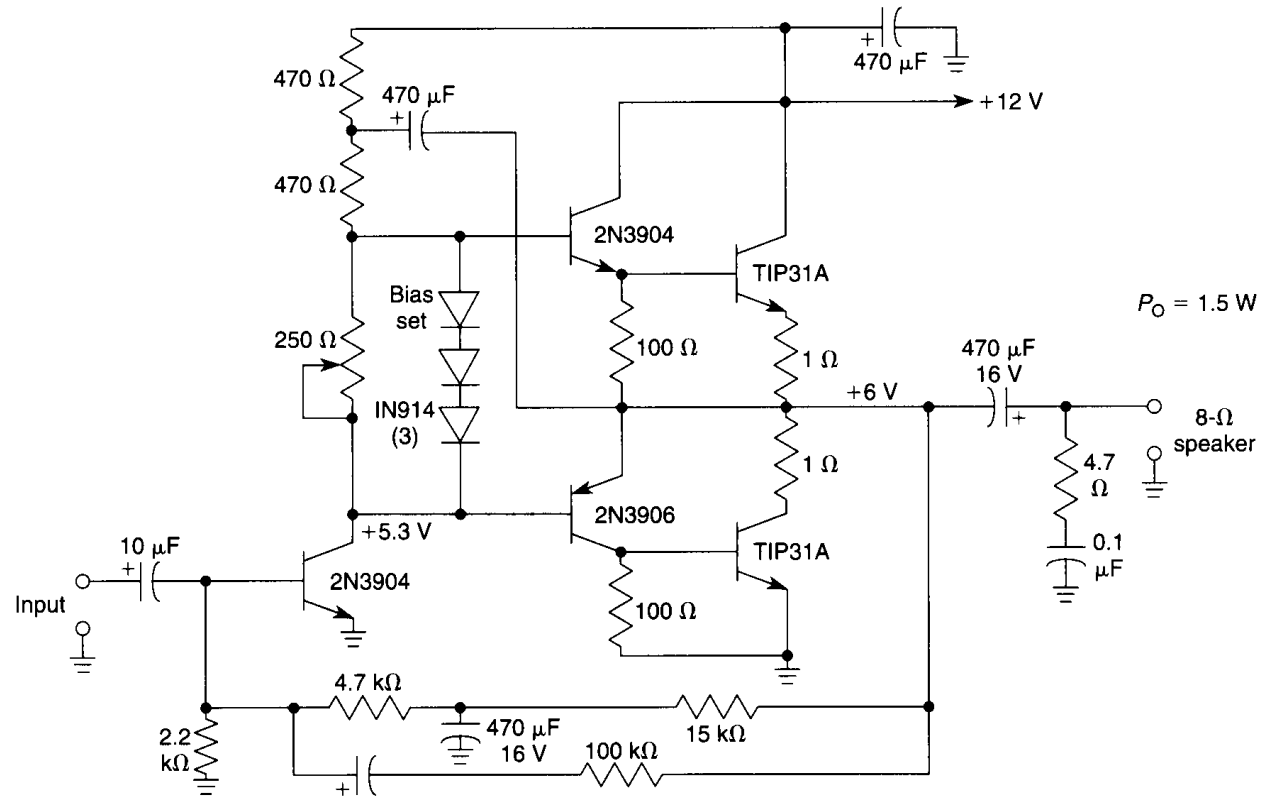


### AUDIO POWER AMPLIFIER, 1.5 W, 12 V



Although ICs have largely replaced circuits such as this, this circuit still finds use where the flexibility of a discrete device design is desirable. Parts are easy to obtain and the problem of IC obsolescence is eliminated. The TIP31A can be heatsinked to a small metal heatsink, if desired.