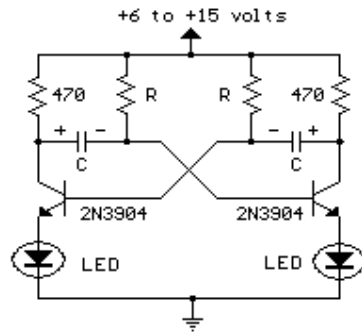


## Astable Multivibrator



This is an astable multivibrator circuit to alternately flash two LEDs. The R and C values determine the frequency and the 470 ohm collector load resistors set the current to about 20 milliamps when the circuit is operated at 12 volts. Frequency is about 1 cycle per second using 22 uF capacitors and 47K resistors. Smaller R or C values will increase frequency. The LEDs may also be wired in series with the collector resistors and other transistors can be used. Reverse the supply voltage connections and LED connections if PNP type transistors are used.