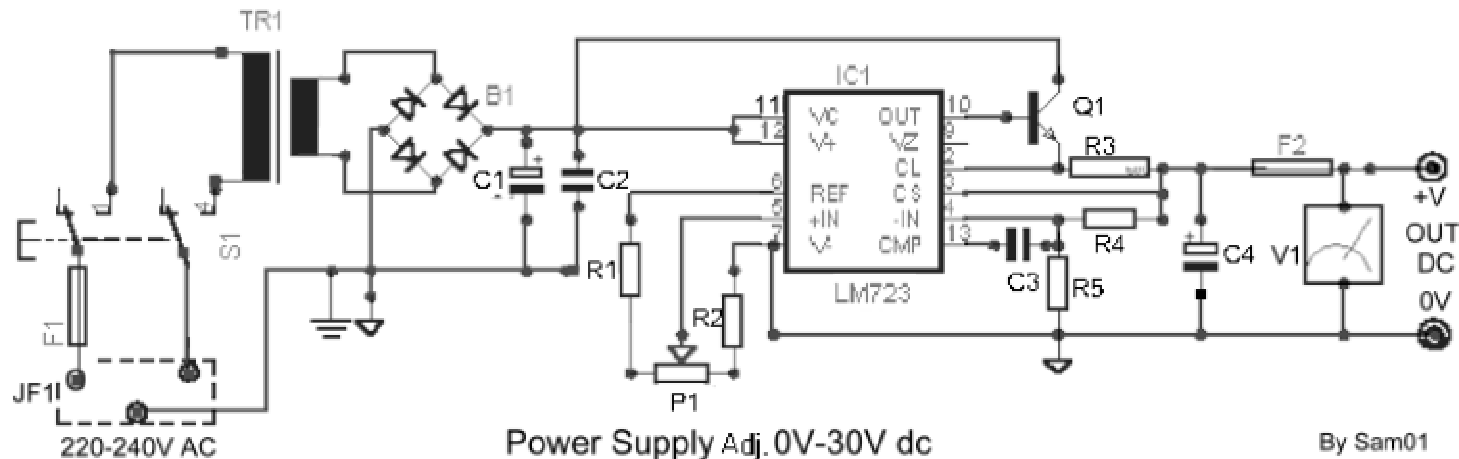


## Power Supply Adjustable 0V-30V DC/2A



It is a simple circuit regulated power supply, based on the known LM 723, that drive a transistor Q1 [2N3055]. The regulation of voltage, of expense becomes with potentiometer R1 from 0v-30v DC roughly. In order to we achieve 30 V, will should the transformer of supply TR1, it gives all the current that it asks the load, differently the output voltage it will be found in the levels of 26 V roughly. Essential is the use of a good heatsink for transistor Q1, as well as good quality of potentiometer in the place of R1.

### Part List

R1=1.2Kohm	C1=4700uF/63V	IC1= <b>LM723</b>	V1=0-30V DC
R2=680ohm	C2=100nF63V MKT	Q1= <b>2N3055</b>	TR1=220VAC/ 27V 4A
R3=0.33ohm/5W	C3=4.7nF63V MKT	B1=Brindge 100V 5A	S1=2x10A SW
R4=15Kohm	C4=220uF/63V	F1=0.5A Fast Fuse	
R5=3.9Kohm	P1=4K7 LOG. POT.	F2=2A Slow Fuse	

**Sam Electronic Circuits 8/01**

[ [Home](#) ] [ [My Database](#) ] [ [My Guestbook](#) ]